

# TARAN (DOUCHE) NBKP-1009 BNC



# nella™

## SHOWER SYSTEMS INSTALLATION INSTRUCTIONS

### THANK YOU FOR CHOOSING NELLA™

Welcome to the Nella™ family. We are confident Nella's™ superior quality, design and aesthetic will enhance your bathroom experience for many years to come. If you have any questions regarding your Nella products please contact your local sales representative or visit our website [www.nellabath.com](http://www.nellabath.com) for customer support and service information.

Thank you again,  
NELLA™

### PRIOR TO INSTALLATION

Prior to installation please be sure to review all installation instructions with a licensed or qualified plumbing technician who is familiar with all local plumbing and building codes in your jurisdiction.

### PRODUCT FEATURES AND DESCRIPTION

#### FEATURES

- Single Lever Pressure Balance Shower Mixer
- Single-Hole mounting
- Low spout design
- Stationary Spout
- 1.5 gallons (5.7 liters) per minute maximum flow rate / CALGreen Compliant

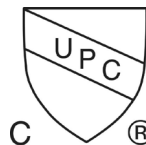
#### INCLUDED COMPONENTS

- Solid brass shower
- Hot and Cold braided steel supply hoses

#### CODES AND STANDARDS

Meets or exceeds:

- ASME A112.18.1 / CSA B125.1
- ICC/ANSI A117.1
- NSF 61
- cUPC
- CALGreen



*CALGreen*

### IMPORTANT - PRIOR TO INSTALLATION

Before you begin please be sure to review the steps below to ensure preferred installation results.

1. Unpack your new NELLA™ product and confirm it is the correct model ordered and inspect the product for damage. Please keep product in its original packaging until you are ready for installation.
2. Confirm that all walls are plumb and all mounting/installation surfaces are level.
3. Shut off existing water supply.
4. Confirm that your plumbing technician has the proper/recommended tools for proper installation.

# TARAN (DOUCHE) NBKP-1009 BNC



---

## SHOWER SYSTEMS INSTALLATION INSTRUCTIONS

---

### IMPORTANT - PRIOR TO INSTALLATION

Immediately upon receiving your Nella bath tub and removing it from its packaging we strongly suggest IMMEDIATE INSPECTION of your Nella product for potential freight damage. Any claims for damage visible or hidden, must be made immediately in order for the carrier to assume full responsibility and absorb any associated costs.

If damage or defect is discovered DO NOT INSTALL your Nella product. Any claimed damage or defect to the finish of the product after the product has been installed will be excluded from any manufacturer warranty.

To ensure this product is installed properly you must use a licensed contractor or extremely qualified and experienced plumbing professional.

Please keep this information for future reference.

Please take the necessary precautions to protect your Nella product.

---

### PRIOR TO INSTALLATION

Turn off main water supply before removing old faucet and fixtures.

Insert a cloth or stopper into drain to prevent small parts, and debris from getting lost and falling into drain.

### TIPS AND SUGGESTIONS FOR A SUCCESSFUL INSTALLATION

Use joint compound or Teflon™ tape on all threaded connections to prevent leaks.

Use a soft cloth to protect the faucet's finish when using a wrench, pliers or other tools that could scratch the faucet.

Tighten all hose connections by hand. Do not over tighten.

Before turning main water supply back on, open additional faucets throughout the residence to prevent pressure from building up.

Remove aerator from faucet before turning on water and flush for several minutes before replacing aerator.

DO NOT use joint compound or Teflon tape to reconnect aerator.

DO NOT use "plumber's putty" or any oil based sealant.

We recommends silicon caulking to be used to seal drain flange and other parts.



# TARAN (DOUCHE) NBKP-1009 BNC

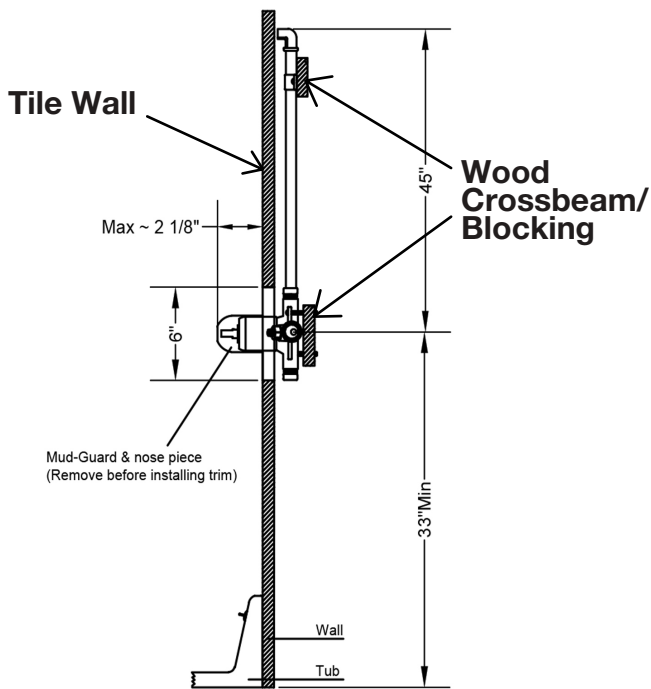


## SHOWER SYSTEMS INSTALLATION INSTRUCTIONS

### VALVE, TRIM AND LEVER INSTALLATION INSTRUCTIONS

1. Locate and confirm the desired installation location in your bathroom shower area.

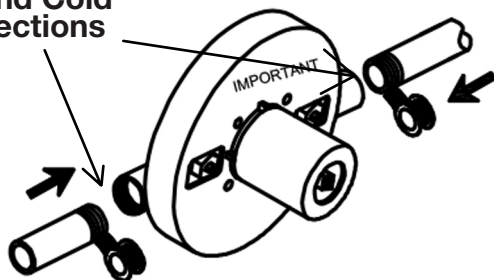
2. Once the location has been determined, install a crossbeam/blocking to the existing studs. Level the valve and secure to the crossbeam.



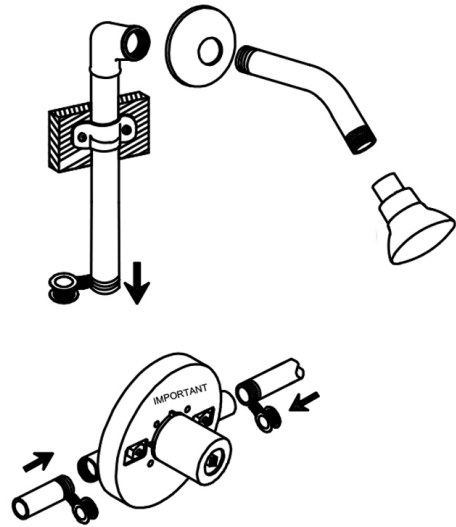
3. Connect valve to the hot and cold supplies using copper supply lines.

**\*\*NOTE:** Do not apply heat directly to the valves as this may damage rubber and plastic seals and will void the warranty.\*\*

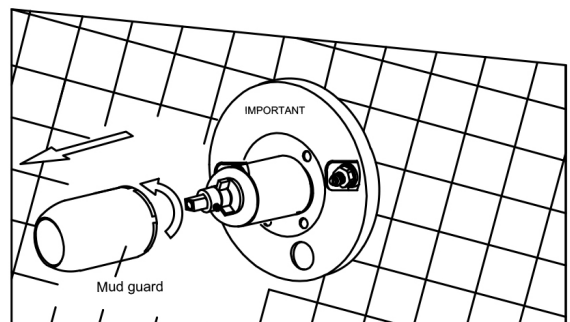
#### Hot and Cold Connections



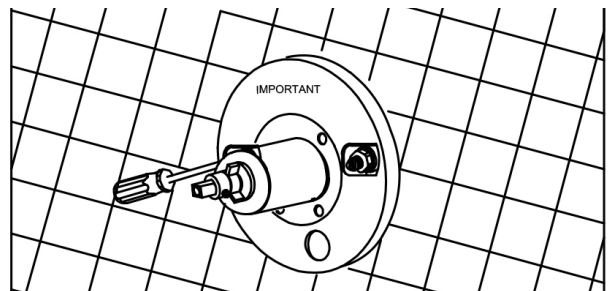
4. Connect the water supply outlet to the shower head.



5. Remove the Mud Gaurd.



6. Turn on all stop valves and be sure to test the valve function before installing the finish plate.



# TARAN (DOUCHE)

## NBKP-1009 BNC

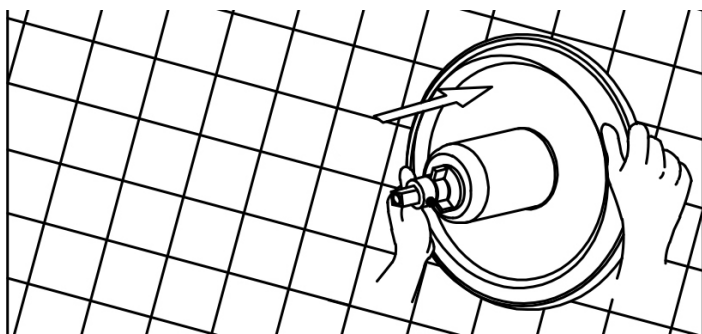


### SHOWER SYSTEMS INSTALLATION INSTRUCTIONS

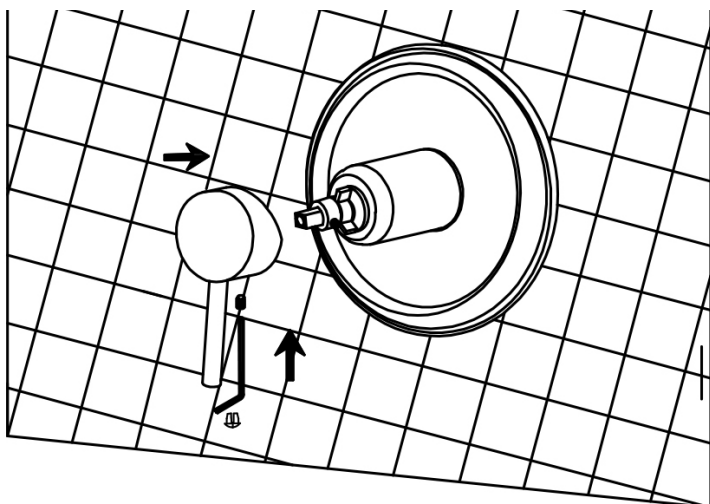
#### VALVE, TRIM AND LEVER INSTALLATION INSTRUCTIONS

8. Proceed to align finish plate and install over the rough-valve.

**\*\*NOTE:** there are no screws provided nor needed to for attachment. Once the finish plate has been firmly installed against the finished wall, apply a thin bead of clear silicone adhesive around the perimeter of the plate where it meets the finished wall. **\*\***



9. Align the handle and install it onto the valve. Secure handle in place with the provided set-screw.



# TARAN (DOUCHE) NBKP-1009 BNC



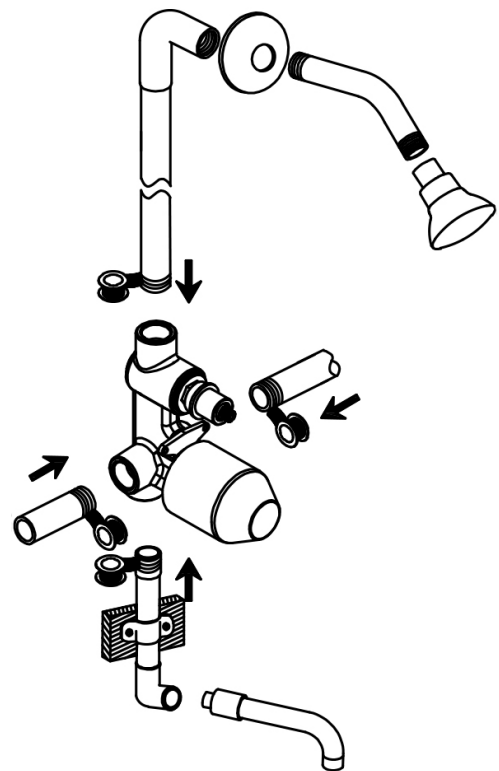
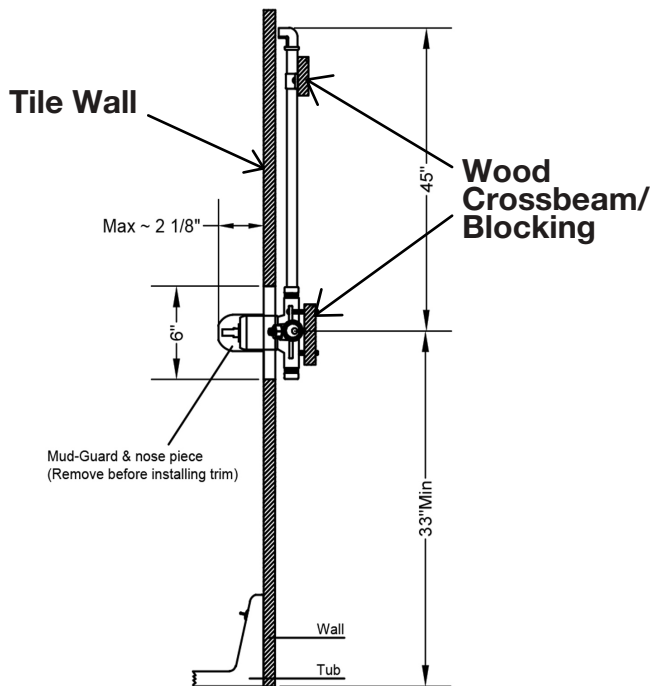
## SHOWER SYSTEMS INSTALLATION INSTRUCTIONS

### VALVE, TRIM AND LEVER WITH DIVERTER AND TUB FILLER INSTALLATION INSTRUCTIONS

1. Locate and confirm the desired installation location in your bathroom shower area.

2. Once the location has been determined, install a crossbeam/blocking to the existing studs. Level the valve and secure to the crossbeam.

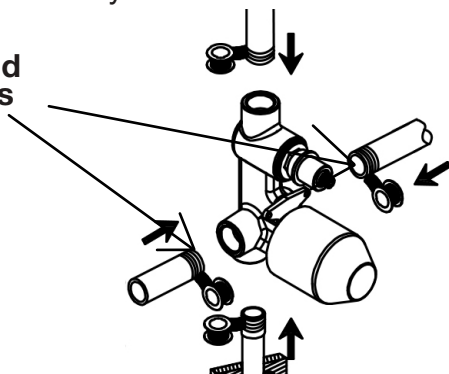
4. Connect the water supply outlets to the shower head and tub filler rough plumbing supply.



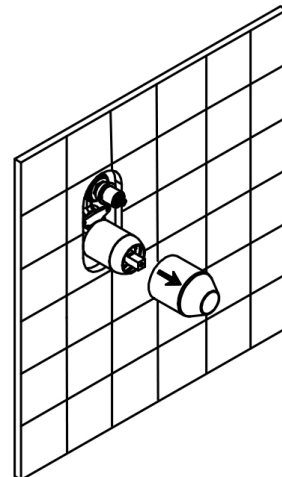
3. Connect valve to the hot and cold supplies using copper supply lines.

**\*\*NOTE:** Do not apply heat directly to the valves as this may damage rubber and plastic seals and will void the warranty.\*\*

#### Hot and Cold Connections



5. Remove the Mud Gaurd.



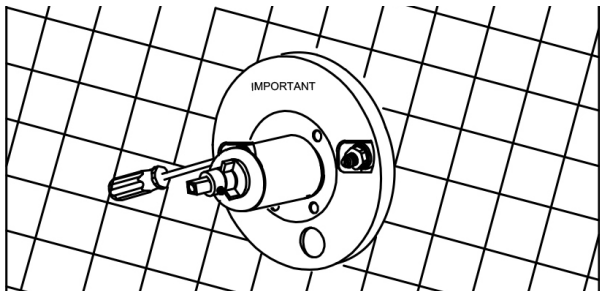
# TARAN (DOUCHE) NBKP-1009 BNC



## SHOWER SYSTEMS INSTALLATION INSTRUCTIONS

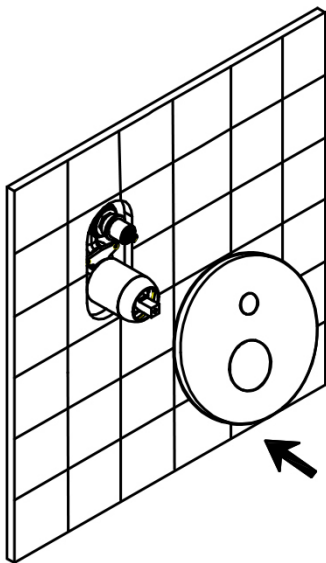
### VALVE, TRIM AND LEVER WITH DIVERTER AND TUB FILLER INSTALLATION INSTRUCTIONS

6. Turn on all stop valves and be sure to test the valve function before installing the finish plate.

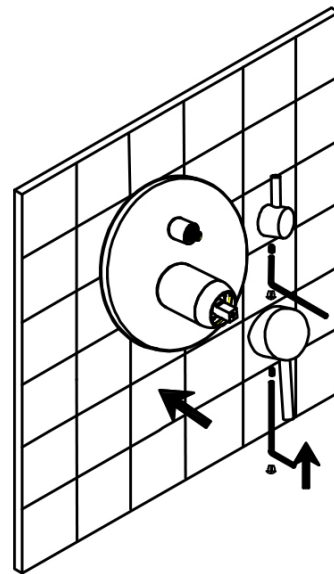


7. Proceed to align finish plate and install over the rough-valve.

**\*\*NOTE:** Note there are no screws provided nor needed to for attachment. Once the finish plate has been firmly installed against the finished wall, apply a thin bead of clear silicone adhesive around the perimeter of the plate where it meets the finished wall.\*\*



8. Align the handle and install it onto the valve. Secure handle in place with the provided set-screw.



9. Proceed to connect the Shower Head and Bath Filler trim to the rough plumbing supply, and tighten firmly.

